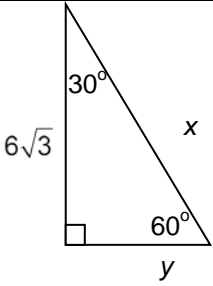
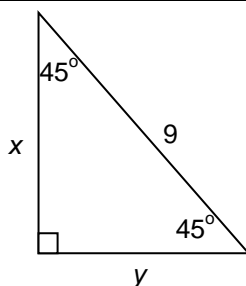
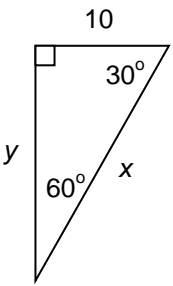
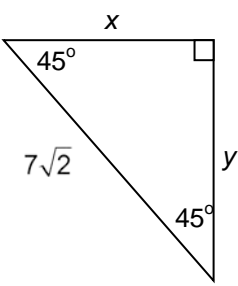
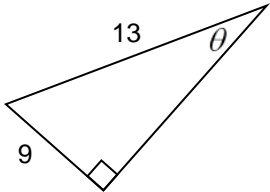
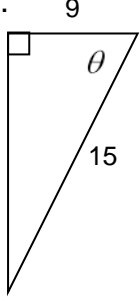


Quiz Review 6.1-6.4
Module 3

Use the Special Right Triangles to solve for x and y . Show all necessary work.

<p>1.</p>  <p>$x =$ _____</p> <p>$y =$ _____</p>	<p>2.</p>  <p>$x =$ _____</p> <p>$y =$ _____</p>
<p>3.</p>  <p>$x =$ _____</p> <p>$y =$ _____</p>	<p>4.</p>  <p>$x =$ _____</p> <p>$y =$ _____</p>

Find the value of each of the six trigonometric functions of θ . Show all work.

<p>5.</p> 	<p>6.</p> 
---	---

Convert from radians to degrees. Show all work.

7. $\frac{5\pi}{3}$	8. $\frac{7\pi}{5}$	9. $-\frac{25\pi}{6}$
---------------------	---------------------	-----------------------

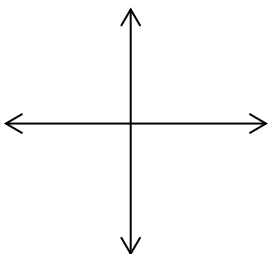
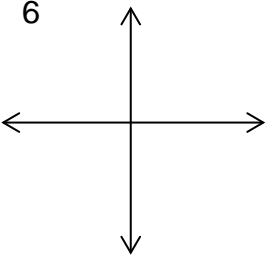
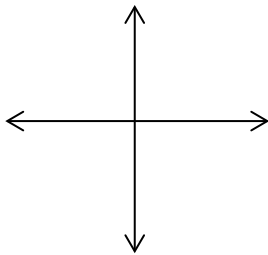
Convert from degrees to radians. Show all work.

10. 120°	11. -315°	12. 15°
-----------------	------------------	----------------

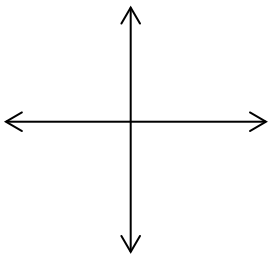
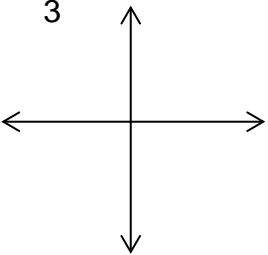
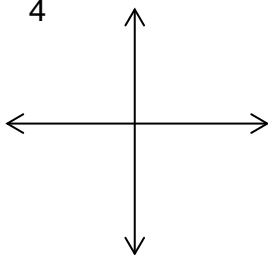
Find a positive angle less than 360° or 2π that is coterminal. Show all work.

13. 440°	14. $\frac{31\pi}{6}$	15. -225°
-----------------	-----------------------	------------------

Draw and label each angle.

16. 270° 	17. $\frac{7\pi}{6}$ 	18. -630° 
--	---	---

Draw and label each reference triangle.

19. -210° 	20. $-\frac{8\pi}{3}$ 	21. $\frac{15\pi}{4}$ 
---	--	--

Answers

1. $x = 12, y = 6$

2. $x = \frac{9\sqrt{2}}{2}, y = \frac{9\sqrt{2}}{2}$

3. $x = \frac{20\sqrt{3}}{3}, y = \frac{10\sqrt{3}}{3}$

4. $x = 7, y = 7$

5. $\sin \theta = \frac{9}{13} \quad \csc \theta = \frac{13}{9}$

6. $\sin \theta = \frac{4}{5} \quad \csc \theta = \frac{5}{4}$

$\cos \theta = \frac{2\sqrt{22}}{13} \quad \sec \theta = \frac{13\sqrt{22}}{44}$

$\cos \theta = \frac{3}{5} \quad \sec \theta = \frac{5}{3}$

$\tan \theta = \frac{9\sqrt{22}}{44} \quad \cot \theta = \frac{2\sqrt{22}}{9}$

$\tan \theta = \frac{4}{3} \quad \csc \theta = \frac{3}{4}$

7. 300°

8. 252°

9. -750°

10. $\frac{2\pi}{3}$

11. $-\frac{7\pi}{4}$

12. $\frac{\pi}{12}$

13. 80°

14. $\frac{7\pi}{6}$

15. 135°

